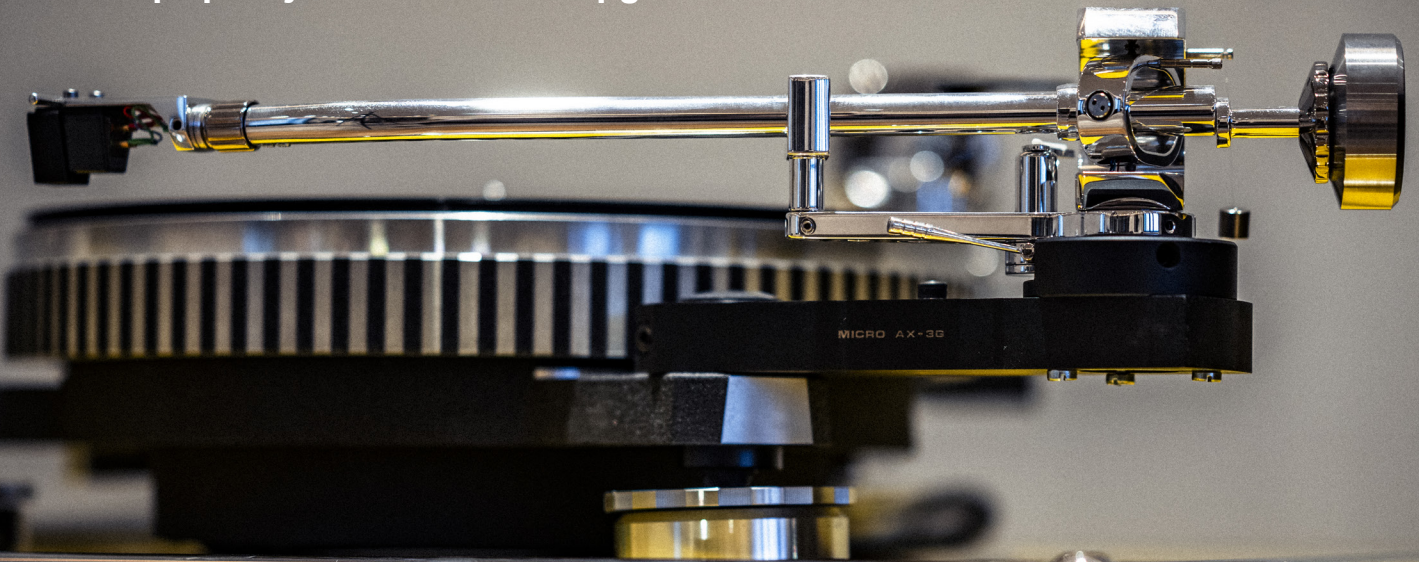


Pro-Ject shakes up the tonearm market

EVO and EVO Premium tonearms

These top-quality tonearms make upgrades within reach!



Our new EVO tonearm ranges employ two different quality level bearing blocks, two shapes, three lengths and two finishes. That gives the customer a total of 24 different arms to choose from to suit their needs.

The **EVO** tonearms are available between MSRP 799 € and 1799 € (incl. VAT) depending on length and finish and shape.

The **EVO Premium** tonearms are available between MSRP 1399 € and 2399 € (incl. VAT) depending on length and finish and shape.

All new Pro-Ject turntables from **X8** and upwards and **RPM 5 Carbon** and upwards will be available with the new EVO tonearm range.

There are extensive upgrade and trade-in offers to make the switch as easy as possible for anybody. At Pro-Ject dealers in August 2023.

Download product information sheets, detailed EVO range presentation and high-resolution images here. For further information, and comparison see the following pages.

EVO Tonearms

The tonearm is one of the most important parts of a turntable and therefore not only influences, but also shapes the sound in a specific way. We did in-depth listening tests with different bearing types, tonearm materials and also cartridge combinations to develop the sound we are looking for.

About 15 years ago, we released the Evolution tonearm range. These tonearms were a huge success and with this experience we were able to further develop our tonearm design. This new EVO and EVO Premium tonearm range are the result of our work from the last years, and we are proud to also offer new finishes and many additional improvements.

Experience

Pro-Ject has been designing tonearms for more than three decades. We have tested many arms in listening- and measuring sessions with close to 50 cartridges of different types and technologies.

Ten insights from our research:

- 1) Damped counterweights and super high mass bearing gimbals to damp resonances
- 2) A conical tonearm tube design guarantees that the resonances are traveling to the bearing block and also reduce the moving mass of the tonearm/headshell
- 3) Single-piece tonearm tubes increase the stiffness and also reduce the mass on the end of the tonearm and increase sound transparency
- 4) Correct tonearm and cartridge matching and the resulting cartridge/tonearm resonance are exceptionally critical for clean tracking and accurate controlled bass reproduction
- 5) For low compliance cartridges, you need tonearms with high effective mass, or in other words, tonearms made of aluminum alloys as opposed to carbon
- 6) High-purity conductors have a significant positive influence on low-level cartridge signals, so we use the highest purity copper and in the premium super clean silver wiring
- 7) High mass flange design is crucial to fix the tonearm securely to the turntable
- 8) Massive tonearm holder reduces the overall resonances of the whole tonearm
- 9) An assortment of different counterweights is necessary to balance the cartridge correctly, for the counterweight to be as close as possible to the bearing, for increased stability
- 10) A precision arm can only be made with the highest level of diamond knife machinery, allowing you to work with tolerances of 1/1000 mm

The new EVO range is a **big comprehensive family** allowing you to find a tonearm with the **effective mass and choice of materials** that **suits your cartridge the most**. We offer the **lightest options** with a pure **carbon tonearm** tube to the **slightly heavier carbon-aluminium** sandwich constructions up to **S-shape aluminium** tonearms with **premium SME headshells** allowing for **fine-tuning the weight** even more, by experimenting with **different headshell materials**. Available in **9", 10" and 12"** lengths, **standard black** or **hand-polished silver**, and **premium** versions with stainless steel bearing block, silver tonearm wiring, and improved bearing block and counterweight design, this is the **most complete tonearm range** on the market right now.

EVO CC



EVO CA Premium



EVO AS



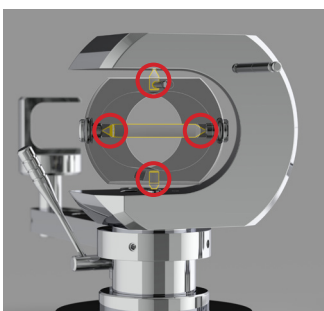
EVO AS Premium



Based on these ten points, we designed the **EVOLUTION** tonearm series roughly ten years ago, and now the NEW **EVO** series.

The central idea is the super high mass gimbals with the ultra-low friction 4-point Swiss-made bearing assembly.

We have found the best technical compromise: 4 pin-point cardan bearings. They are very stable and have very low friction to guarantee a beautiful soundstage and clean tracking.



If you have medium to low compliance cartridges, getting a better sound than from our EVO CC full carbon arm, as is featured on all our high-end products, is very difficult.

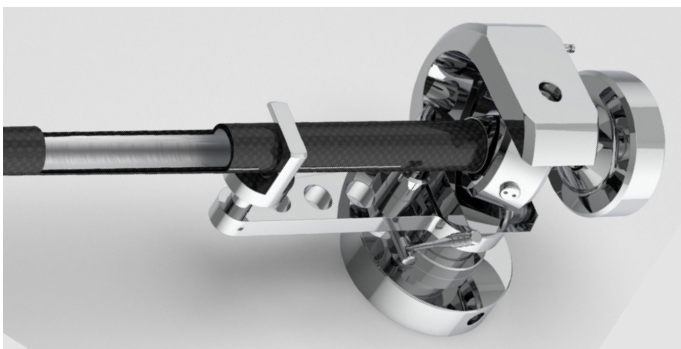
However, for low-compliance cartridges it would be best to have more effective mass. For example: our carbon-aluminium or aluminium s-shape arms.

Premium SME-standard Headshells



Detachable headshells have the considerable advantage that you can use multiple cartridges, depending on the sound character you desire. You can also fine-tune the sound character by using

different headshell materials influencing the total effective mass of the tonearm and, consequently the resonance frequency.



The Differences – Standard and Premium

Standard and Premium share the same core design, as we don't believe in wasting money on a different look that does not offer any sonic or technical advantage.

The **difference** is in the **detail** following the insight and findings described in the 10 points above.

- Higher gimbal mass by using stainless steel instead of aluminum
- Tonearm tube in the carbon version is a sandwich of aluminium and carbon, giving better damping and higher effective mass to use MC cartridges with low compliance on a one-piece tonearm
- Pure silver inner wiring
- Better damped counterweight with higher stability
- New construction of the inner gimbal to increase mass
- Selected main ABEC 7 Swiss bearings for ultra-lowest friction

All these details are not visible but make a massive difference in the compelling sound and imaging result: A much more open, cleaner, less distorted, and more extensive sound stage with rock-solid bass reproduction.

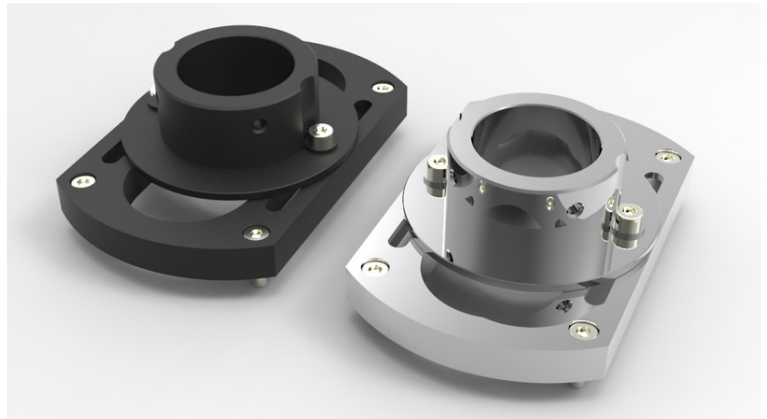
Cosmetic differences

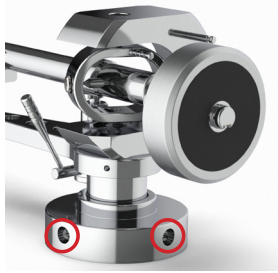
We offer the arm in simple matt paint or a high gloss hand-polished finish.

The sonic difference between the two: None. Why is the High Gloss version more expensive? Because each HG tonearm is professionally hand-polished which takes 6-8 hours per arm!

Our upgrade offers:

- Trade in your old EVO tonearm for a new EVO tonearm.
- Upgrade your older classic Pro-Ject turntable with our new EVO arms.
- Trade in your existing tonearm from other manufacturers. We offer a wide variety of flanges to match your turntable (SME, Jelco, Morch, Ortofon) and even complete custom flanges for other tonearms and manufacturers.





Effective Mass, Tracking Force & VTA

We supply two counterweights for each tonearm to give you the possibility to use a broad range of cartridges. You can find the cartridge weight range and effective mass guidelines in the product information sheets. The counterweight itself is a new design which features TPE damping to counteract unwanted resonances.

The tonearm height can be continuously adjusted. Adapt the tonearm height to achieve the best sound quality. Set and experiment with the VTA & Azimuth to extract the highest performance from your cartridges.

Designed & handmade in Europe

Our new EVO tonearms are carefully designed and handmade in Europe. We aim to develop a technically flawless design purpose built using the precise amounts of materials to achieve the sonic goal – that saves resources. Due to the timeless & rigid design this product is built for eternity. We pioneer the industry by using high-quality components, materials and well-thought-out designs.



EVO CC

- Flexible high-purity copper inner wiring
- Aluminium bearing block
- Ultra-low friction 4 pin point tonearm bearing
- Stiff and lightweight carbon tonearm tube
- TPE damped counterweight prevents resonances
- Accurate azimuth and VTA adjustment
- Outside ring is open to prevent bell-mode resonances
- Gold plated 5PIN DIN output socket
- Available in Black high gloss 9, 10 and 12 inch
- **Made in Europe**

EVO AS

- Flexible high-purity copper inner wiring
- Aluminium bearing block
- Ultra-low friction 4 pin point tonearm bearing
- Stiff and lightweight carbon tonearm tube
- TPE damped counterweight prevents resonances
- Accurate azimuth and VTA adjustment
- Outside ring is open to prevent bell-mode resonances
- Gold plated 5PIN DIN output socket
- Available in Black high gloss 9, 10 and 12 inch
- **Made in Europe**

EVO CA Premium

- **PREMIUM** High purity silver inner wiring
- **PREMIUM** Heavy stainless steel bearing block
- **PREMIUM** Inverted Swiss ABEC 7 quality 4 stainless steel tips in cardanic ball bearings
- **PREMIUM** arm bearing housing of solid ring type
- **PREMIUM** high precision CNC machined
- **PREMIUM** Carbon-Aluminium sandwich tube
- **PREMIUM** New TPE damped counterweight
- Accurate azimuth and VTA adjustment
- Available in Black high gloss 9, 10 and 12 inch
- **Made in Europe**

EVO AS Premium

- **PREMIUM** High purity silver inner wiring
- **PREMIUM** Heavy stainless steel bearing block
- **PREMIUM** Inverted swiss ABEC 7 quality 4 stainless steel tips in cardanic ball bearings
- **PREMIUM** arm bearing housing of solid ring type
- **PREMIUM** high precision CNC machined
- **PREMIUM** SME-standard Headshells
- **PREMIUM** New TPE damped counterweight
- Accurate azimuth and VTA adjustment
- Available in Black high gloss 9, 10 and 12 inch
- **Made in Europe**



The history of Pro-Ject

Pro-Ject was founded in 1991, during the onslaught of the compact disc and CD players, with the mission to offer the best analogue experience for a reasonable price. In a time where the digital audio media had been on the rise, and vinyl was declared as outdated and dead, Heinz Lichtenegger kept his belief in the simple but best way to enjoy music – turntables.

We aim to get as many people as possible into the wonderful hobby that is HiFi audio and to deliver a real stereo experience for the lowest cost possible. The best way to start is with a proper turntable. We want to give the customers back the right to choose what they need, without overblowing our products with unnecessary features.

Here at Pro-Ject, we strive to create astonishing products with impeccable value. We only use the best components for the price and manufacture our handmade goods solely in Europe. With an eye for future trends, we are always trying to fit the needs of the market.

Our passion and drive have been recognized by many acclaimed magazines. We have won multiple awards from the renowned HiFi press for our turntables and electronics over the years. Our products have also been used in countless TV shows and movies.

With cutting edge technologies and machines, we can create visually pleasing products without losing the eye for the finest details. We closely work with partners from the music industry, such as Universal Music Group (The Beatles), Third Man Records (Jack White), The Rolling Stones, Parov Stelar, or the world-famous Hard Rock Café. Many industry leaders also cooperate with us, like the Vienna Philharmonic Orchestra or Ortofon for their jubilees. With these partners, we create special limited edition products to give our customers even more choices.